

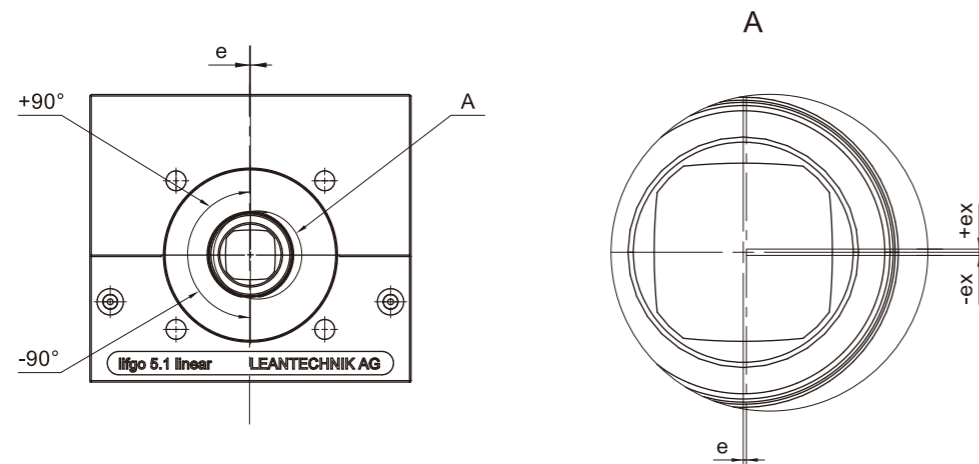
lifgo® linear eccentric Series



Make sure that the model number refers to the correct pinion shaft version

PW	ZA1	ZA2	PFN

Ext. Dimensions (mm)



NOTE: The dimensions of the " linear eccentric " version are identical to those of the standard lifgo® linear , Please use the dimensions on page 3.02.09.

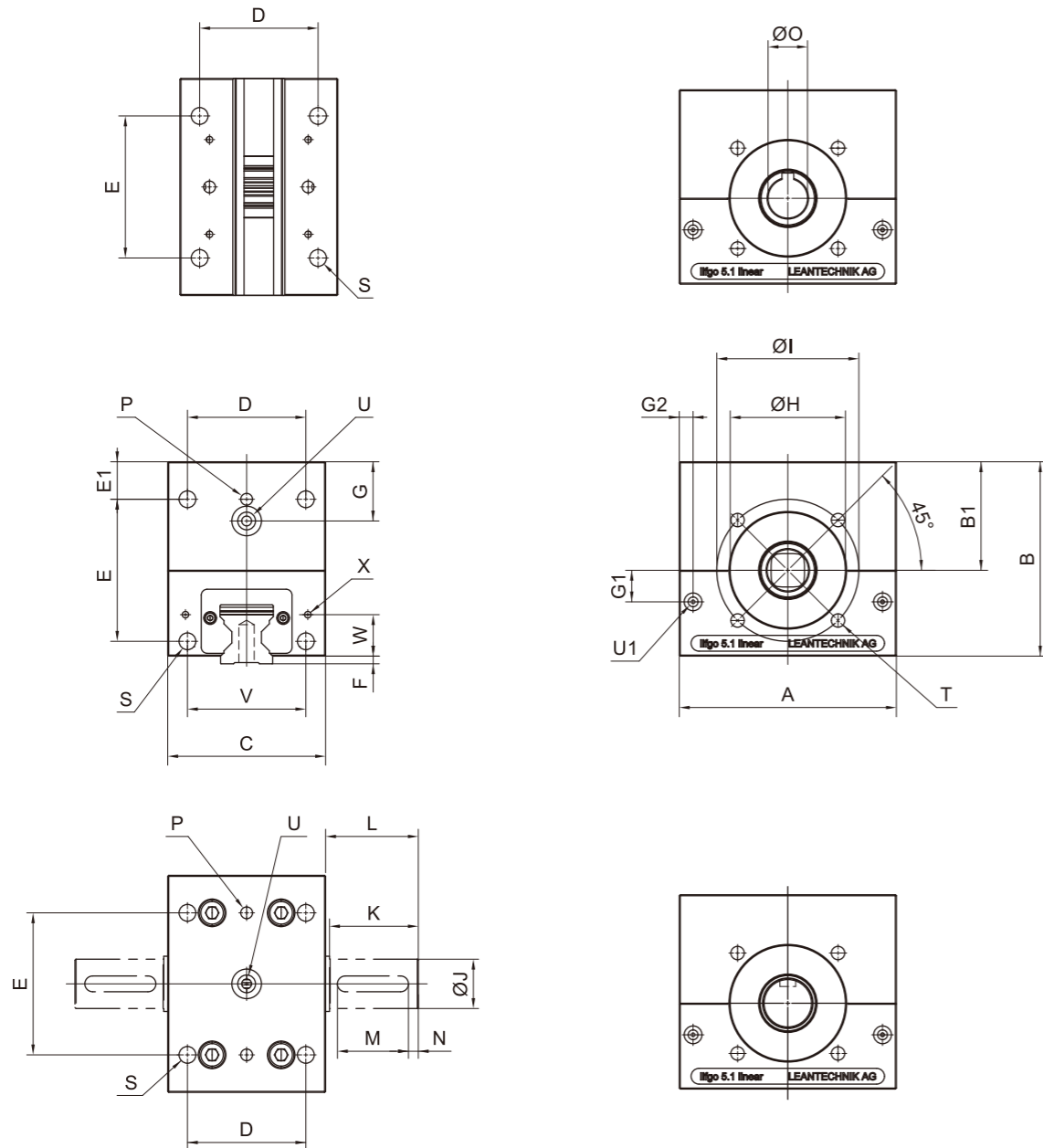
Technical Data

Parameters	Symbol	Unit	U1	U2	U3
Adjustment Range	e	mm	± 0.300	± 0.300	± 0.300
Adjusting Steps	n	mm	± 4	± 6	± 6
Adjustment per Step	e0	mm	0	0	0
	e1	mm	± 0.115	± 0.078	± 0.078
	e2	mm	± 0.212	± 0.150	± 0.150
	e3	mm	± 0.277	± 0.212	± 0.212
	e4	mm	± 0.300	± 0.260	± 0.260
	e5	mm	—	± 0.290	± 0.290
	e6	mm	—	± 0.300	± 0.300
Weight	PW	kg	1.20	2.95	13.25
	ZA1	kg	1.31	3.30	15.10
	ZA1	kg	1.35	3.47	15.61
	PFN	kg	1.25	2.92	13.46

Note: In the lifgo® linear "eccentric" version, the pinion shaft is adjusted relative to the gear rack, allowing the tooth flank clearance to be adjusted. It can be readjusted at a later time. Motor flanges, gearbox bell housings, etc. remain centered on the pinion during adjustment. Note that lifgo® linear "eccentric" gearboxes cannot be combined with standard gearboxes (centered bearings). The pinion shafts are not aligned. (Max. lateral error 0.3 mm).

Model	U1	U2	U3
lifgo® linear eccentric PW	500 049	500 050	500 051
lifgo® linear eccentric ZA1	500 053	500 054	500 055
lifgo® linear eccentric ZA2	500 057	500 058	500 059
lifgo® linear eccentric PFN	500 061	500 062	500 063

Ext. Dimensions [mm]



Ext. Dimensions [mm]

Description	Symbol	Unit	U1	U2	U3
	A	mm	80	110	180
	B	mm	71.5	98.5	161
	B1	mm	40	55	90
	C	mm	70	80	130
	D	mm	55	60	105
	E	mm	50	72	120
	E1	mm	15	19	30
	F	mm	3.5	5.5	5
	G	mm	26	30	55
	G1	mm	7.5	16	21.5
	G2	mm	7	7	13
Locating Flange	H	mm	Ø 38.5 H7 Depth 2	Ø 59 H7 Depth 3	Ø 92 H7 Depth 3
	I	mm	Ø 48	Ø 72	Ø 110
Key DIN6885 P9	J	mm	Ø 14 h7	Ø 25 h7	Ø 42 h7
	K	mm	30	45	60
	L	mm	32	47	62
	M	mm	25	36	50
	N	mm	2	5	5
Key DIN6885 P9	O	mm	Ø 10 h7	Ø 20 h7	Ø 35 h7
	P	mm	Ø 6 H7 Depth 10	Ø 6 H7 Depth 10	Ø 6 H7 Depth 10
	S	mm	M 8 Depth 25 Ø 6.8 Through Hole	M 10 Depth 25 Ø 8.5 Through Hole	M 12 Depth 25 Ø 10.2 Through Hole
	T	mm	M 6 Depth 8	M 8 Depth 10	M 10 Depth 20
Lube Hole	U	mm	M 10 x 1.0 Depth 10	M 10 x 1.0 Depth 10	M 10 x 1.0 Depth 10
Lube Hole	U1	mm	M 6 Depth 5	M6 Depth 5	M 6 Depth 5
	V	mm	58	62	100
	W	mm	18	21	43
	X	mm	M 4 Depth 8	M 4 Depth 8	M 4 Depth 8
Weight	PW	kg	1.20	2.95	13.25
	ZA1	kg	1.31	3.30	15.10
	ZA2	kg	1.35	3.47	15.76
	PFN	kg	1.25	2.92	13.46

NOTE: lifgo® linear is used for long stroke lengths, with a fixed gear rack.
If the gearboxes is fixed and the gear rack is freely moveable, then it can be reinforced with profiles.

Model	U1	U2	U3
lifgo® linear PW	500 033	500 034	500 035
lifgo® linear ZA 1	500 037	500 038	500 039
lifgo® linear ZA2	500 041	500 042	500 043
lifgo® linear PFN	500 045	500 046	500 047